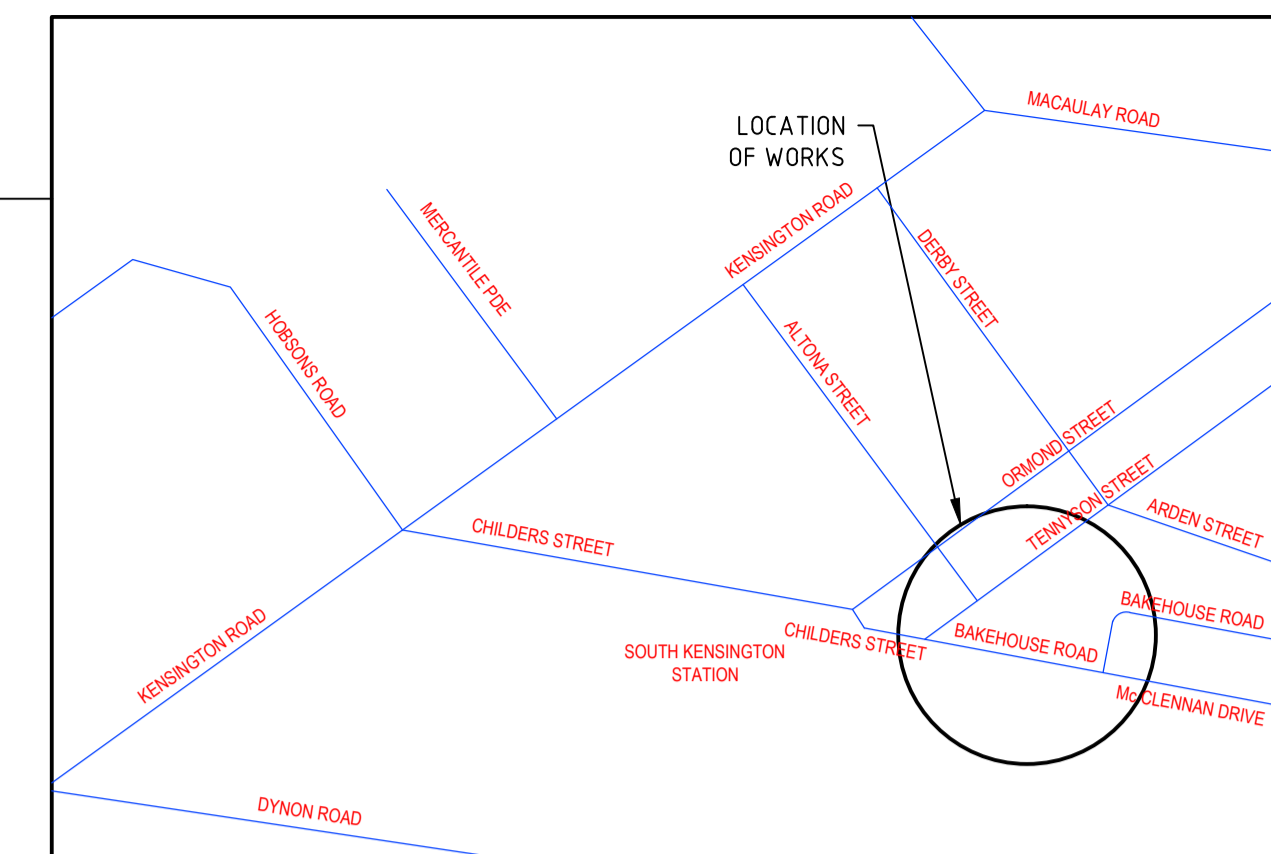
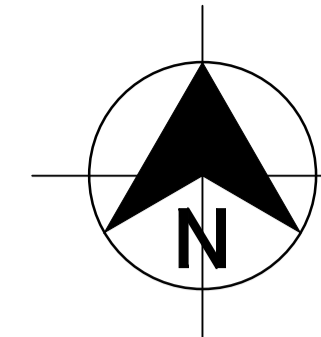
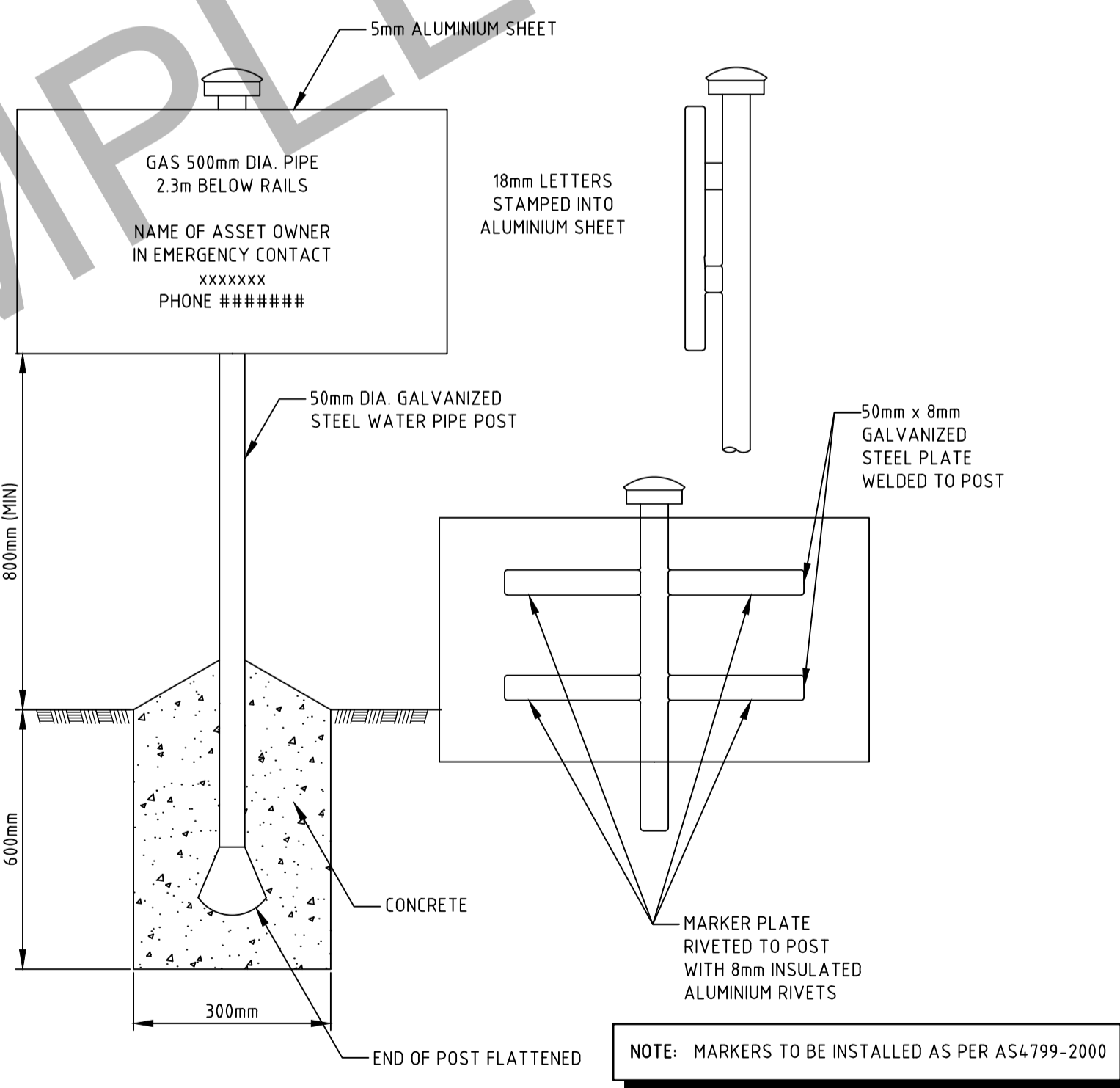
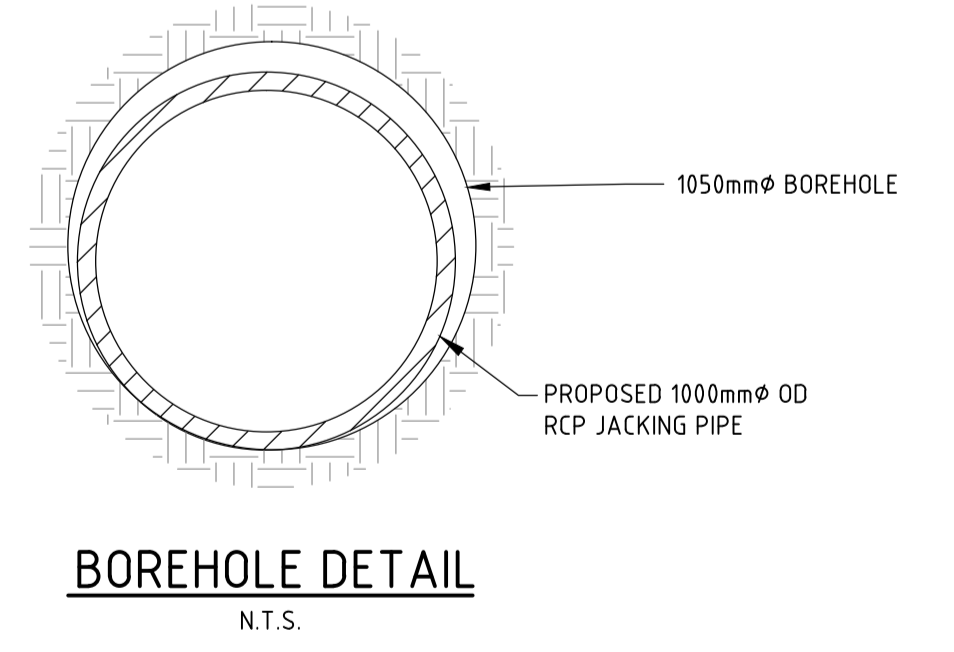
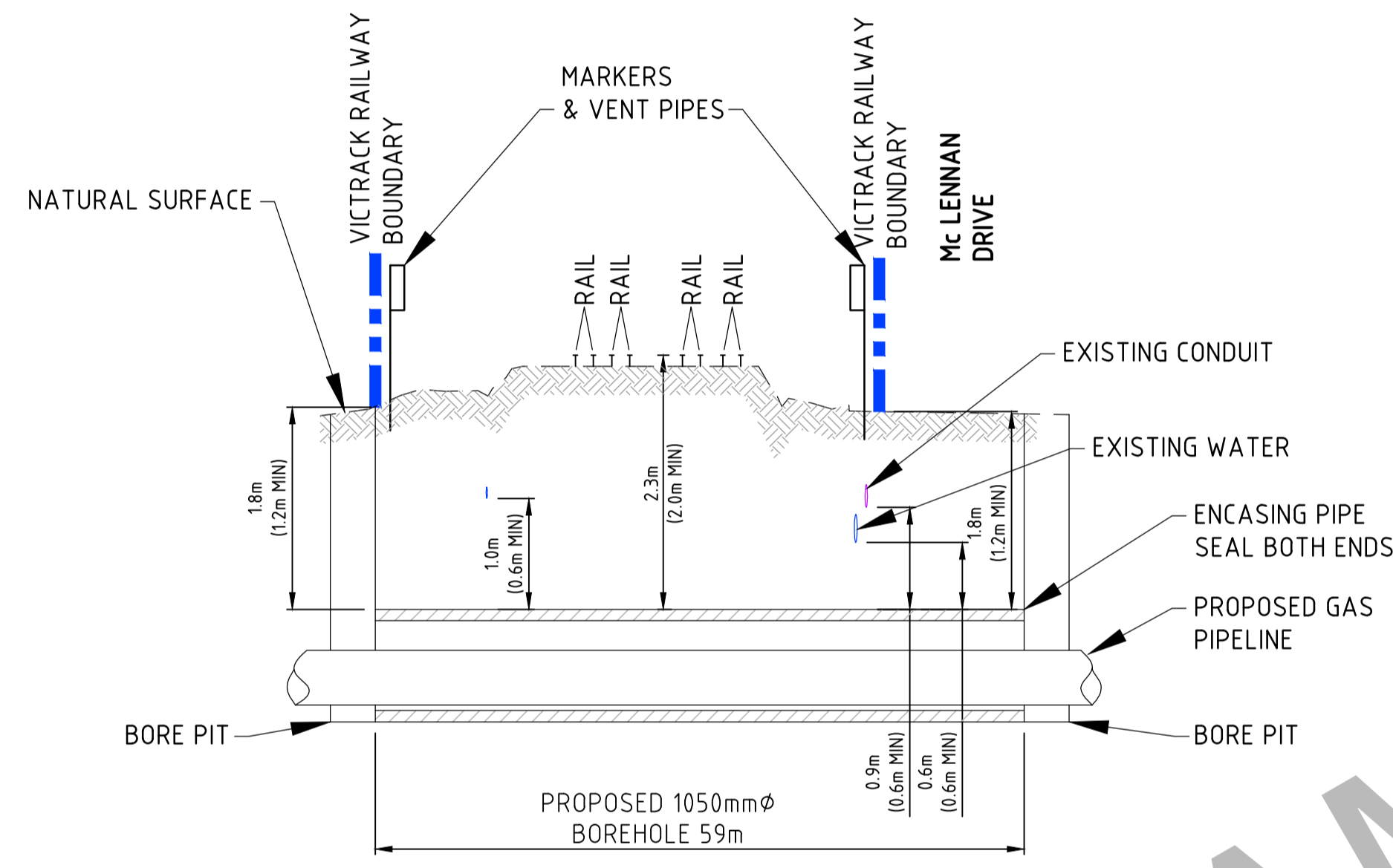
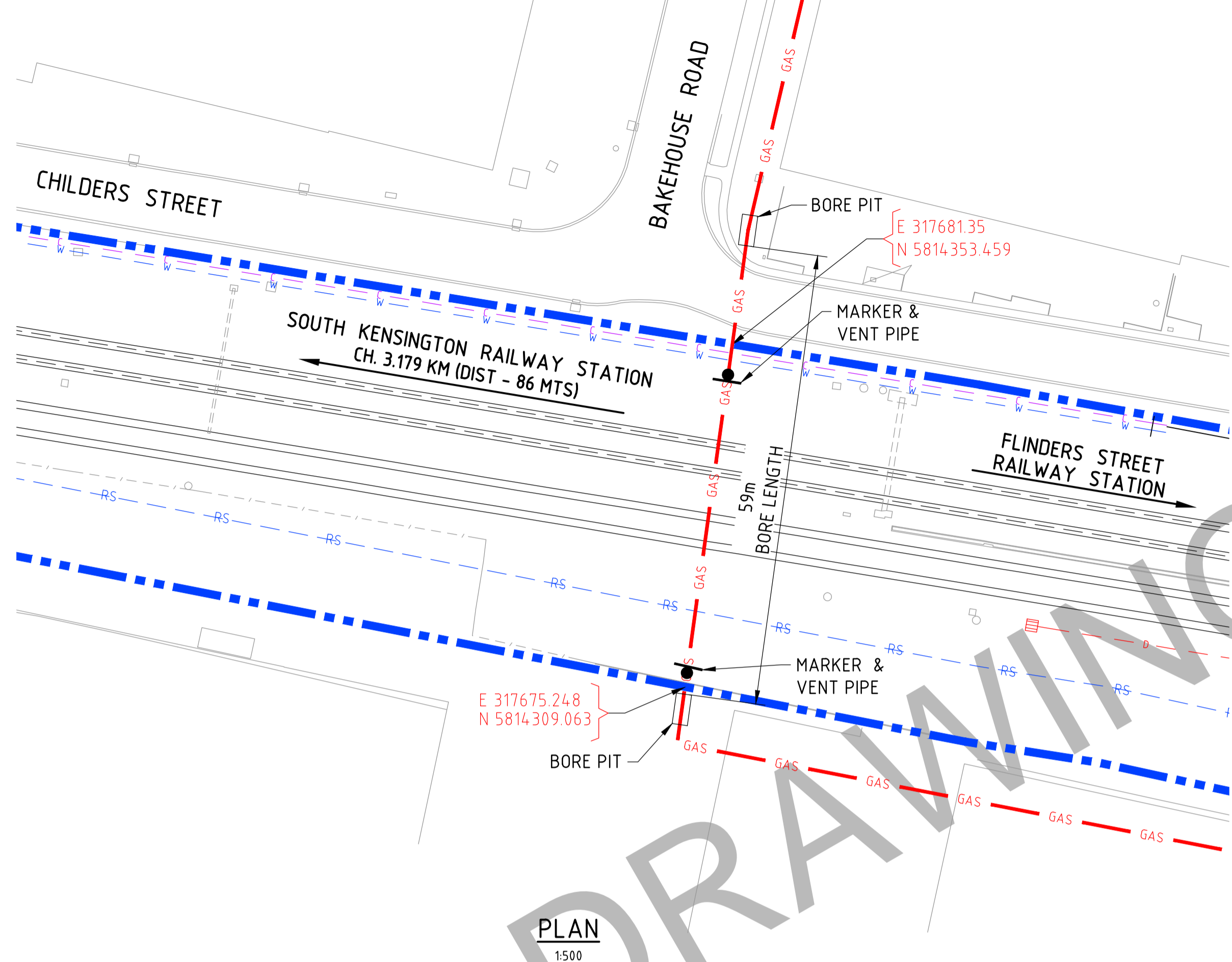


PIPE SPECIFICATION		
	CARRIER PIPE	ENCASING PIPE
INTERNAL DIAMETER	485.8mm	800
PIPE MATERIAL	STEEL	RCP Jacking Pipe
SPECIFICATION & GRADE	5L GRADE x70	-
WALL THICKNESS	11.1mm	100mm
MAXIMUM WORKING PRESSURE	10.200MPa	N/A
TYPE OF JOINT	BUTT WELD	N/A
PIPE COATING	DUAL LAYER F.B.E	N/A
	CONCRETE COATED	
ELECTRICALLY CONTINUOUS	YES	N/A
CATHODIC PROTECTION	YES	N/A



SITE LOCALITY PLAN
MEL REF 42 K4

- NOTES:
- EXISTING CONTOURS, LEVELS AND FEATURES ARE INDICATIVE ONLY AND ARE BASED UPON SURVEY DRAWINGS AND DATA SUPPLIED BY (SURVEYOR'S NAME).
 - IT IS PREFERRED LEVELS ARE EXPRESSED IN METRES ABOVE AUSTRALIAN HEIGHT DATUM (AHD), OTHERWISE ARBITRARY DATUM TO BE IN METRES ALSO.
 - THE DRAWINGS SHALL NOT BE SCALED.
 - INSTALLATION OF THE GAS MAIN SHALL BE CARRIED OUT IN ACCORDANCE WITH AS:4799-2000.
 - RAILWAY LAND, INCLUDING ANY OPEN DRAIN & MAINTENANCE TRACKS, SHALL BE REINSTATED IN ACCORDANCE WITH AS:4799-2000 AND TO THE SATISFACTION OF THE RAIL OPERATOR'S ENGINEER.
 - EXISTING SERVICES INFORMATION HAVE ALSO BEEN OBTAINED FROM www.1100.com.au AND VICTRACK RAILWAY COMMUNICATIONS CABLING DEPARTMENT AND INCLUDED ON THE DRAWINGS.
 - CONTRACTOR TO PROVIDE "AS BUILT" DRAWINGS IN ELECTRONIC FORMAT i.e. AUTOCAD AND PDF TO services.applications@victrack.com.au.
 - ALL EXISTING SERVICES INCLUDING RAILWAY SIGNALS, VICTRACK COMMUNICATIONS AND THIRD PARTY ASSETS HAVE BEEN LOCATED, DEPETHED AND DETAILS INCLUDED ON THE DRAWING. ALL EXISTING SERVICES LOCATIONS SHALL BE VERIFIED ON SITE BY THE CONTRACTOR BEFORE COMMENCING WORK AND PRODUCE A DETAILED EXISTING SERVICES PLAN.
 - IF THE PROPOSED INSTALLATION IS UNDER A OPERATOR ACCESS TRACKS, ANY REINSTATEMENT MUST BE TO THE SATISFACTION OF THE RAIL OPERATOR.
 - CONTRACTOR TO MAINTAIN MINIMUM 600mm CLEARANCE TO ANY EXISTING SERVICE AND MINIMUM 3.0m CLEARANCE TO ANY STRUCTURE.
 - CONTRACTOR TO NOTIFY DESIGNER OF ANY CHANGES TO SITE CONDITIONS THAT ARE NOT SHOWN ON THE DRAWINGS PRIOR TO THE INSTALLATION.
 - MARKER POSTS TO BE INSTALLED AT EVERY 200m INTERVALS, ANY CHANGE OF DIRECTION AND AT THE ENTRY AND EXIT POINTS OF VICTRACK PROPERTY. MARKER POSTS TO BE PLACED FACING THE RAIL TRACKS WITHIN VICTRACK PROPERTY.
 - ALL EXCESS MATERIALS TO BE DISPOSED OFF VICTRACK PROPERTY.
 - PRIOR TO COMMENCEMENT OF WORKS, THE CONTRACTOR SHALL SUBMIT A DETAILED SAFE WORK METHOD STATEMENT TO THE RAIL OPERATOR INCLUDING A DETAILED CONSTRUCTION METHODOLOGY FOR SITE ACCESS.
 - BOREHOLE TO BE SUPPORTED AT ALL TIMES FOLLOWING THE BORE HEAD. THE CASING MUST BE ADVANCED PROGRESSIVELY AS BORE PROCEEDS, SO THAT ANY RISK OF SETTLEMENT OR COLLAPSE AT THE FACE IS MINIMISED.
-NOTE TO DESIGNER: ANY DEVIATION FROM STANDARD WILL BE CONSIDERED, YET CONFIRMING GEOTECHNICAL ADVICE TO LARGER DIAMETER SHOULD BE PROVIDED. V/LINE WILL NEED TO REVIEW SPECIFIC DETAILS FOR THIS PRIOR TO APPROVAL.
 - DIAMETER OF BORED HOLE SHALL NOT EXCEED DIAMETER OF CONDUIT BY MORE THAN 50mm. ANNULUS TO BE GROUTED WITH AN APPROVED MATERIAL.
-NOTE TO DESIGNER: ANY DEVIATION FROM STANDARD WILL BE CONSIDERED, YET CONFIRMING GEOTECHNICAL ADVICE TO LARGER THAN 50mm GAPS SHOULD BE PROVIDED.
 - INSTALLATION OF CONDUIT IS TO BE BORED FROM OUTSIDE OF VICTRACK PROPERTY BOUNDARY TO OUTSIDE OF VICTRACK PROPERTY BOUNDARY.
-NOTE TO DESIGNER: VICTRACK PREFER INSTALLATION OF CONDUIT IS BORED AND ALL PITS BE LOCATED OUTSIDE OF RAIL PROPERTY BOUNDARIES. SHOULD BORE PIT LOCATIONS BE REQUIRED INSIDE RAIL BOUNDARIES, APPLICANT IS TO CONFIRM WITH VALID REASONS WHY THIS IS REQUIRED.
 - NOTE TO DESIGNER: BOTH STANDARD AND BROAD GAUGE TRACKS TO BE ANNOTATED ON THE LONGITUDINAL SECTION WITH VERTICAL CLEARANCE TO EACH TRACK.
 - BORE PITS TO BE LOCATED OUTSIDE PROPERTY BOUNDARY IN METRO AREA.
-NOTE TO DESIGNER: TRENCHING MAY BE UNDERTAKEN INSIDE VERY WIDE V/LINE RAIL RESERVE, SUBJECT TO APPROVAL.
 - CONTRACTORS ARE TO COMPLY WITH MTM DOCUMENTS L1-CCO-PRO-001 (SITE ACCESS PROCEDURES), AND L0-SQE-PRO-014 (SAFETY AND ENVIRONMENTAL REQUIREMENTS FOR CONTRACTORS WORKING ON MTM PREMISES).
 - CONTRACTORS ARE TO COMPLY WITH MTM DOCUMENTS L1-INF-PRO-001 (PROTECTION OF UNDERGROUND ASSETS AND SERVICES INTERIM PROCEDURE) AND AS-4799-2000 (INSTALLATION OF UNDERGROUND UTILITY SERVICES AND PIPELINES WITHIN RAILWAY BOUNDARIES).



LEGEND

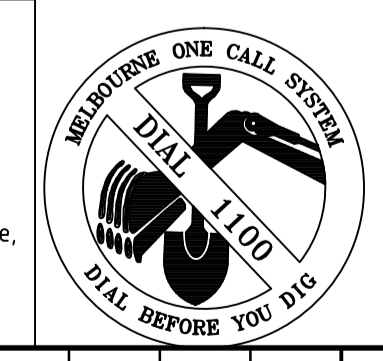
	VICTRACK PROPERTY BOUNDARY
	PROPOSED GAS MAIN
	EXISTING WATER MAIN
	EXISTING DRAINAGE PIPE AND PIT
	EXISTING FENCE
	EXISTING COMMUNICATIONS CABLE
	EXISTING RAIL SIGNAL
	EXISTING TREE
	STANCHIONS
	EXISTING RAILWAY LINES
	EXISTING RAILWAY ELECTRIC OVERHEAD/CATENARY
	MARKER

NOTE: METAL PIPES IN A ELECTRIFIED TRACTION AREA WILL REQUIRE CATHODIC PROTECTION

NOTE: MARKERS TO BE INSTALLED AS PER AS4799-2000

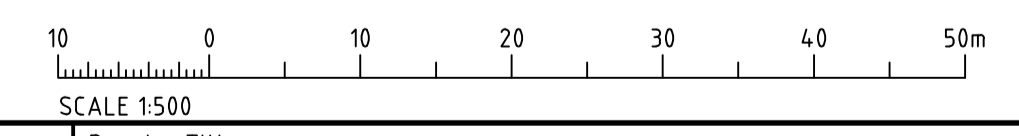
WARNING AND DISCLAIMER
BEWARE OF UNDERGROUND SERVICES

The information provided in these drawings relating to the positions of underground services is intended to be only a guide for excavation works. (Designer's business entity) does not warrant or represent that the positions of those services shown on the drawings are accurate. Furthermore, services may exist of which (Designer's business entity) is unaware. The information provided should therefore not be relied upon and exact positions of services should be verified by hand excavation. Furthermore, (Designer's business entity) disclaims responsibility for damage or injury to any person caused directly or indirectly by any works affecting the services.



Rev.	Date	Revision Details	Des.	Ver.	App.
A	15.05.12	CONSTRUCTION ISSUE	CD	LM	NEB

(CONSULTANT NAME)	Client:	(CLIENT NAME)	Project:	(ASSET OWNER) - VICTRACK APPLICATION (REF. NO.) (LOCATION)	Drawn	Signed	Date	Drawing Title: PROPOSED GAS PIPE UNDERLINE ON FLINDERS STREET - NEWPORT (INSERT NAME) RAIL LINE AT CHAINAGE 3.093 kms AT NORTH DYNON (LOCATION)	FOR CONSTRUCTION		
						Designed	Signed		Date	Project No.	228351
				Verified	Signed	Date	Scale		AS SHOWN	Sheet Size	A1
				Approved	Signed	Date	Drawing No.		STD G0071	Rev.	A



Use File: P:\CADD\DATA\PROJECTS\228351\228351-001-UNDERLINE-GAS-Flinders-Newport.dwg Plot Date: 22/07/2015 10:29:39 AM Name: Goran Stevanovic Xref: 228351-001-UNDERLINE.dwg